

# SRX-360

## 360° 吸顶双鉴探测器



N345



### 安装指南

P/N 7101317 REV. D A.Y.

## SRX-360 特性

- 红外及微波双鉴探测，可覆盖 360°探测范围。
- 安装高度可达 3.6 米。
- 当安装高度为 3.6 米时，探测范围为 360°/20 米。
- 传感器密封处理。
- 应用 VLSI 技术 (大规模集成设计)。
- 独创 Omni 技术 4 元红外传感器。
- 微波探测基于多普勒技术。
- 独特微波探测器，整合微型带状天线
- 与 及 或逻辑方式可选
- 双向微波灵敏度可调。
- 双向红外灵敏度可调。
- 可靠的信号处理过程。
- 球型透镜设计，全 360°覆盖。
- 双向温度补偿。
- 抗日光干扰能力强。
- 抗 RFI 及 EMI 干扰能力强。

SRX-360 是一款四元红外及微波双鉴吸顶探测器，通过独特四元红外分析及基于多普勒原理的微波技术对区域进行防护。

该探测器带有微处理器，对红外及微波信号进行分析，采用独特、拥有专利的 ASIC 工艺技术，确保探测器“零误报”。

### 坚固的球型透镜

SRX-360 带有一个坚固的球形透镜。该透镜为安防行业最新潮的产品，符合所有的新标准。它使探测器的覆盖范围更加广泛，即使是安装在较低的地方，它还能抗日光、气灯、荧光等干扰，并且不易被外力破坏。

### 线缆尺寸需求

使用 #22 AWG (0.5 毫米) 或更大直径线缆。使用下表来确定线缆参数及长度。

线长	米	200	300	400	800
线缆直径	毫米	.5	.75	1.0	1.5
线长	英尺	800	1200	2000	3400
线标称	#	22	20	18	16

## 安装指导

选择容易发现入侵者的安装地点。根据以下细节安装，可获得最好的安装效果。

- 温度改变

不要将探测器装于室外，或气温可能忽然变化的地方，又或是靠近空调，排气扇，风扇，电热器等物体。

- 亮光

要避免亮光，避免被太阳光直射或反射，避免汽车大灯或其它光源。

- 移动或是摆动的物体

窗帘等会波动物体可能会导致探测器误报。安装点要避免有移动的或是摆动的物体。

- 空气保持干净

空气要保持干净，当水、水汽、油渍等接触到探测器，将可能引起故障。

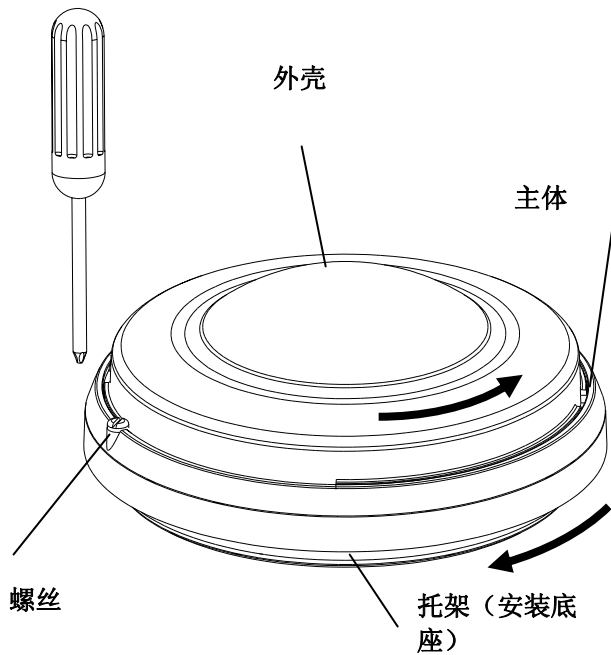
- 窗帘、玻璃及屏幕

红外能量不能穿越不透明的物体，及一些透明，半透明的物体，例如玻璃、纸张，窗帘等，因此安装点要避免因此造成的死角。

- 报警区域

选择安装位置时，要谨慎，并且参照下图中报警区域图，来选择合适的安装地点。

## 打开外壳及支架



## 安装过程

1. **打开外壳**  
卸下螺丝后，打开外壳。
2. **从底座取下主体。**  
逆时针旋转主体，从底座取下。
3. **将底座安装在天花板上**  
将底座置于天花板下。  
定位固定螺丝孔。  
从线孔走好线。
4. **接线**  
根据下页（第 7、8 页）说明，接好线。
5. **装好主体**  
按照底座箭头指示，箭头指向标记位置，顺时针旋转，上好主体。
6. **装好外壳**  
将外壳对准位置旋上。并上好螺丝。

## 接线

根据下面介绍将线缆接入探测器：

### 端口标记“-” (GND)

接地端。

### 端口标记“+” (+12V)

输入直流电压 8.2-16 V (通常从报警主机取电)。

### 端口标记“TAMPER”

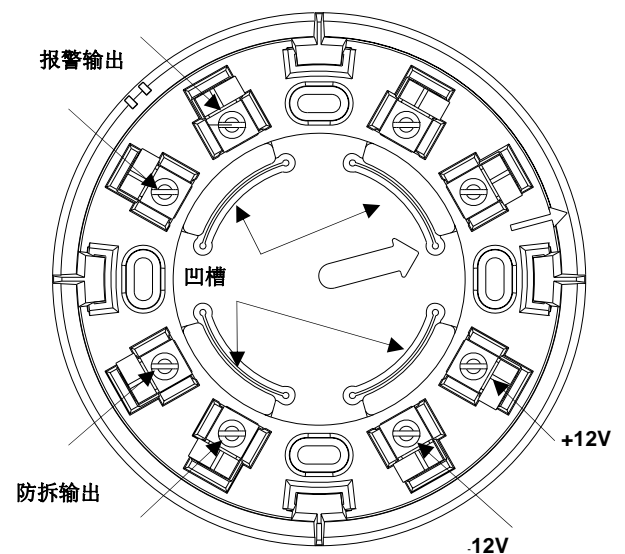
如果需要防拆保护的话，就接入此两端子。将信号接入 24 小时防拆防区中，如果探测器外壳被打开的话，将触发报警。

### 端口标记“RELAY”

此端子为探测器探测报警输出。

通常接入报警主机的常闭输入防区。

## 托架、密封垫及接线端



**MW 微波灵敏度调整**

**跳线“JP6”** - 用于根据不同环境，调节微波的灵敏度。

**位置 左 - “H” - 高灵敏度**

用于常规环境中 - 立即触发报警。

**位置 右 - “L” - 低灵敏度**

用于恶劣的环境中。

**旋钮“RV2”** - 可调节探测范围。

**PIR 红外灵敏度调整**

**跳线“JP2”** - 用于根据不同环境，调节红外的灵敏度。

**位置 右 - “1” - 高灵敏度**

用于稳定的环境。

**位置 左 - “2” - 低灵敏度**

用于复杂的环境。

**旋钮“RV1”** - 可调节探测范围。

顺时针旋钮，可以增加探测范围，逆时针旋转，则减少探测范围。

**报警模式设置- 跳线“JP5”与 - 或**

**位置 右 “或”**

当红外或微波任一传感元探测到报警时，探测器报警有效探测范围为两传感元各自覆盖的区域。

**位置 左 “与”** - 当红外及微波现时报警时，探测器报警有效探测范围为红外及微波探测范围相交的地方。

**LED 设置- 跳线“JP1”**

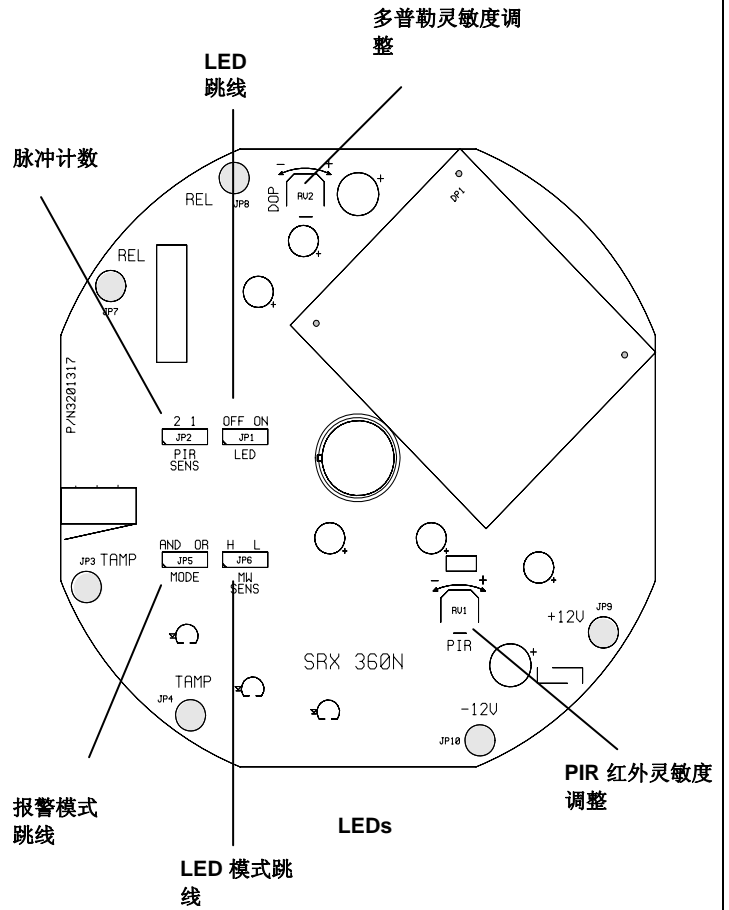
**位置 On (右) - LED 打开**

SRX-360 触发时，LED 红灯亮

**位置 Off (左) - LED 关闭**

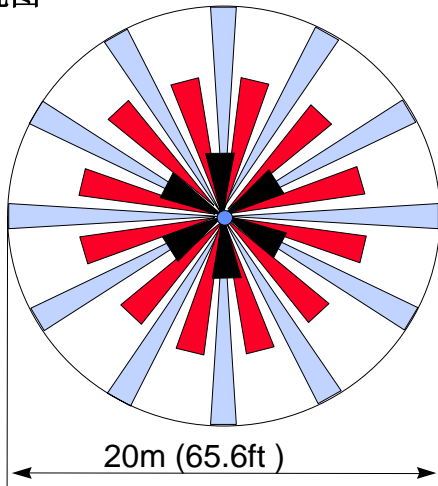
LED 灯关闭。

**结构图**

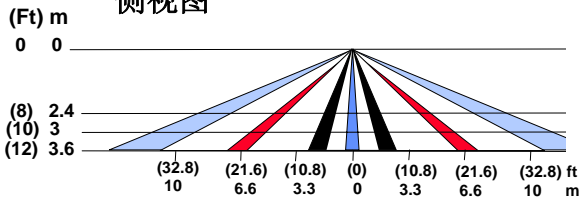


**透镜图**

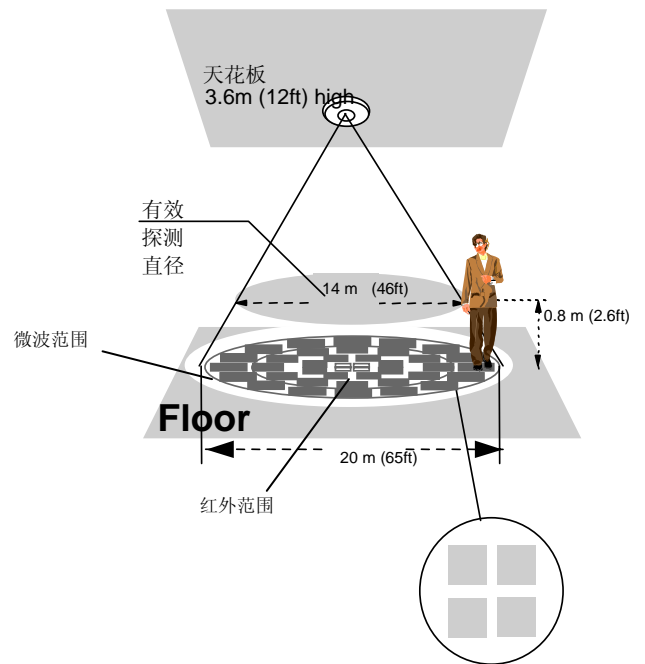
**俯视图**



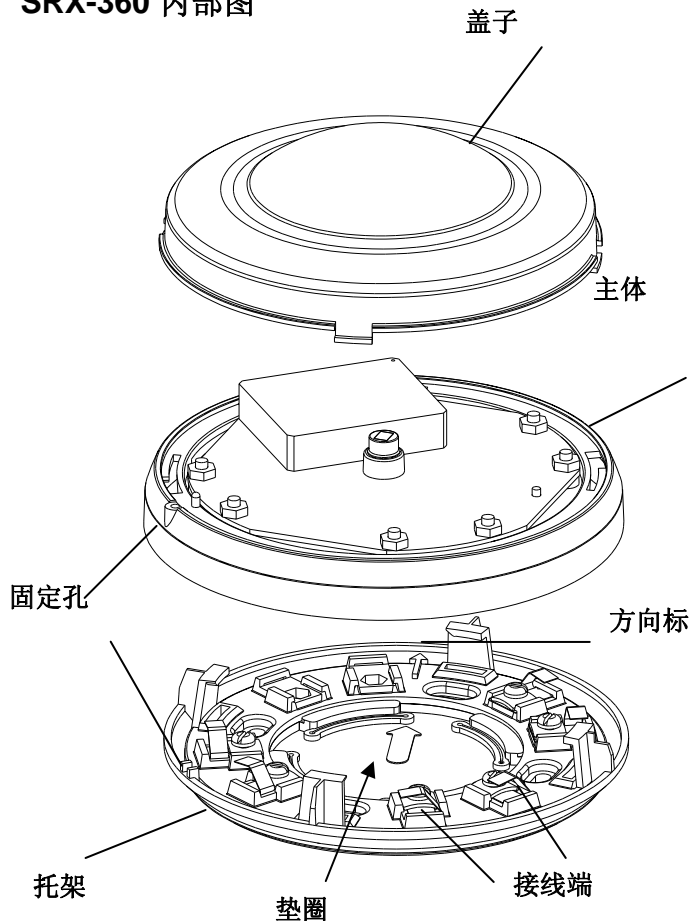
**侧视图**



**探测图**



## SRX-360 内部图



## CROW ELECTRONIC ENGINEERING LTD. ("Crow") - WARRANTY POLICY CERTIFICATE

This Warranty Certificate is given in favor of the purchaser (hereunder the "Purchaser") purchasing the products directly from Crow or from its authorized distributor.

Crow warrants these products to be free from defects in materials and workmanship under normal use and service for a period of 24 months from the last day of the week and year whose numbers are printed on the printed circuit board inside these products (hereunder the "Warranty Period").

Subject to the provisions of this Warranty Certificate, during the Warranty Period, Crow undertakes, at its sole discretion and subject to Crow's procedures, as such procedures are from time to time, to repair or replace, free of charge for materials and/or labor, products proved to be defective in materials or workmanship under normal use and service. Repaired products shall be warranted for the remainder of the original Warranty Period.

All transportation costs and in-transit risk of loss or damage related, directly or indirectly, to products returned to Crow for repair or replacement shall be borne solely by the Purchaser.

Crow's warranty under this Warranty Certificate does not cover products that is defective (or shall become defective) due to: (a) alteration of the products (or any part thereof) by anyone other than Crow; (b) accident, abuse, negligence, or improper maintenance; (c) failure caused by a product which Crow did not provide; (d) failure caused by software or hardware which Crow did not provide; (e) use or storage other than in accordance with Crow's specified operating and storage instructions.

There are no warranties, expressed or implied, of merchantability or fitness of the products for a particular purpose or otherwise, which extend beyond the description on the face hereof.

This limited Warranty Certificate is the Purchaser's sole and exclusive remedy against Crow and Crow's sole and exclusive liability toward the Purchaser in connection with the products, including without limitation - for defects or malfunctions of the products. This Warranty Certificate replaces all other warranties and liabilities, whether oral, written, (non-mandatory) statutory, contractual, in tort or otherwise.

In no case shall Crow be liable to anyone for any consequential or incidental damages (inclusive of loss of profit, and whether occasioned by negligence of the Crow or any third party on its behalf) for breach of this or any other warranty, expressed or implied, or upon any other basis of liability whatsoever. Crow does not represent that these products can not be compromised or circumvented: that these products will prevent any person injury or property loss or damage by burglary, robbery, fire or otherwise; or that these products will in all cases provide adequate warning or protection.

Purchaser understands that a properly installed and maintained product may in some cases reduce the risk of burglary, fire, robbery or other events occurring without providing an alarm, but it is not insurance or a guarantee that such will not occur or that there will be no personal injury or property loss or damage as a result.

Consequently, Crow shall have no liability for any personal injury; property damage or any other loss based on claim that these products failed to give any warning.

If Crow is held liable, whether directly or indirectly, for any loss or damage with regards to these products, regardless of cause or origin, Crow's maximum liability shall not in any case exceed the purchase price of these products, which shall be the complete and exclusive remedy against Crow.

7101317\_D

## 技术参数

型号 I	SRX-360
探测元	四元红外及微波
工作电压	8.2 to 16 Vdc
电流消耗	触发: 25.5 mA 待机: 16.5 mA
温度补偿	是
报警区间	2 +/- 1 秒
报警输出	常闭 28Vdc 0.1 A 带 10 Ohm 线阻
防拆开关	常闭 28Vdc 0.1A 带 10 Ohm 线阻- 当外壳 打开时报警
预热时间	1 分钟
LED 指示灯	黄 LED 灯闪亮, 表示探测器在自检 红 LED 灯亮, 表示系统触发 红 LED: 报警 绿 LED: 红外传感元 黄 LED: 微波传感元
工作温度	-20°C 到 +50°C (-4°F 到 +122°F)
抗 RFI 干扰	30V/m 10 - 1000MHz
抗 EMI 干扰	50,000V 的雷电电击
可视光保护	抗气灯干扰
外形尺寸	131mm x 57mm (5.2" x 2.25")
重量	185 克 (6.52 oz)

Crow 科隆公司保留修改产品参数而不预先通知的权力。

## CROW ELECTRONIC ENGINEERING LTD.

<b>ISRAEL:</b>	Crow Electronic Engineering Ltd. 12 Kineret St. Airport City P.O. Box 293, Ben Gurion Airport, 70100 Tel: 972-3-9726000 Fax: 972-3-9726001 E-mail: <a href="mailto:support@crow.co.il">support@crow.co.il</a>
<b>USA:</b>	2160 North Central Road, Fort Lee, N.J. 07024 Tel: 1-800-GET CROW or (201) 944 0005 Fax: (201) 944 1199 E-mail: <a href="mailto:support@crowelec.com">support@crowelec.com</a>
<b>AUSTRALIA:</b>	142 Keys Road Cheltenham Vic 3192 Tel: 61-3-9553 2488 Fax: 61-3-9553 2688 E-mail: <a href="mailto:crow@crowaust.com.au">crow@crowaust.com.au</a>
<b>POLAND:</b>	VIDICON SP. ZO. O. 15 Povazkowska St. 01 - 797 Warsaw Poland Tel: 48 22 562 3000 Fax: 48 22 562 3030 E-mail: <a href="mailto:vidicon@vidicon.pl">vidicon@vidicon.pl</a>
<b>LATIN AMERICA:</b>	CROW LATIN AMERICA 5753 NW 151 <sup>ST</sup> . Street MIAMI LAKES, FL 33014 - USA Tel: +1-305-823-8700 Fax: +1-305-823-8711 E-mail: <a href="mailto:sales@crowlatinamerica.com">sales@crowlatinamerica.com</a>
<b>ITALY:</b>	DEATRONIC VIA Giulianello 4/14 00178 ROMA, ITALY Tel: +39-0676-12912 Fax: +39-0676-12601 E-mail: <a href="mailto:info@deatronic.com">info@deatronic.com</a>

These instructions supersede all previous issues in circulation prior to October 2005

